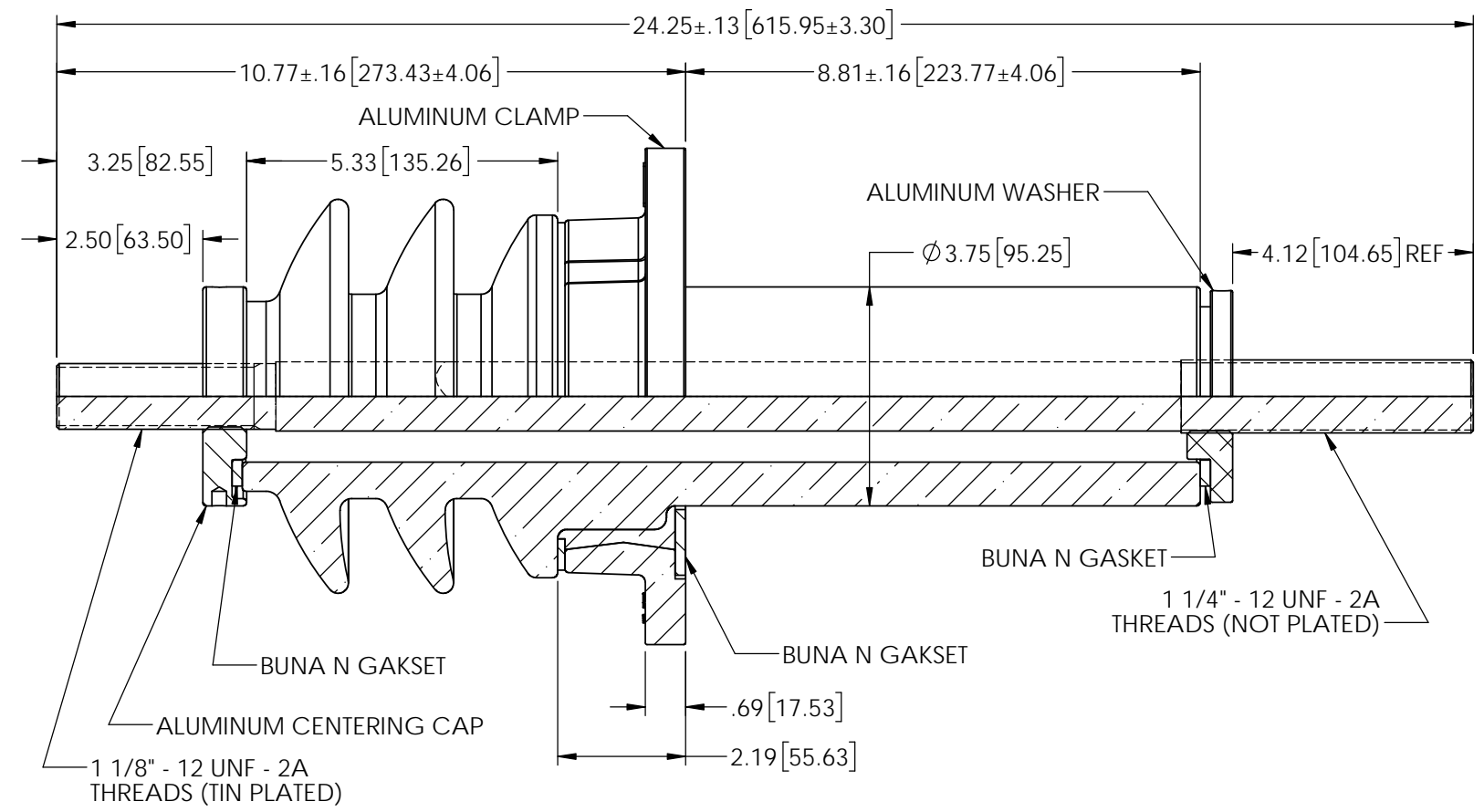
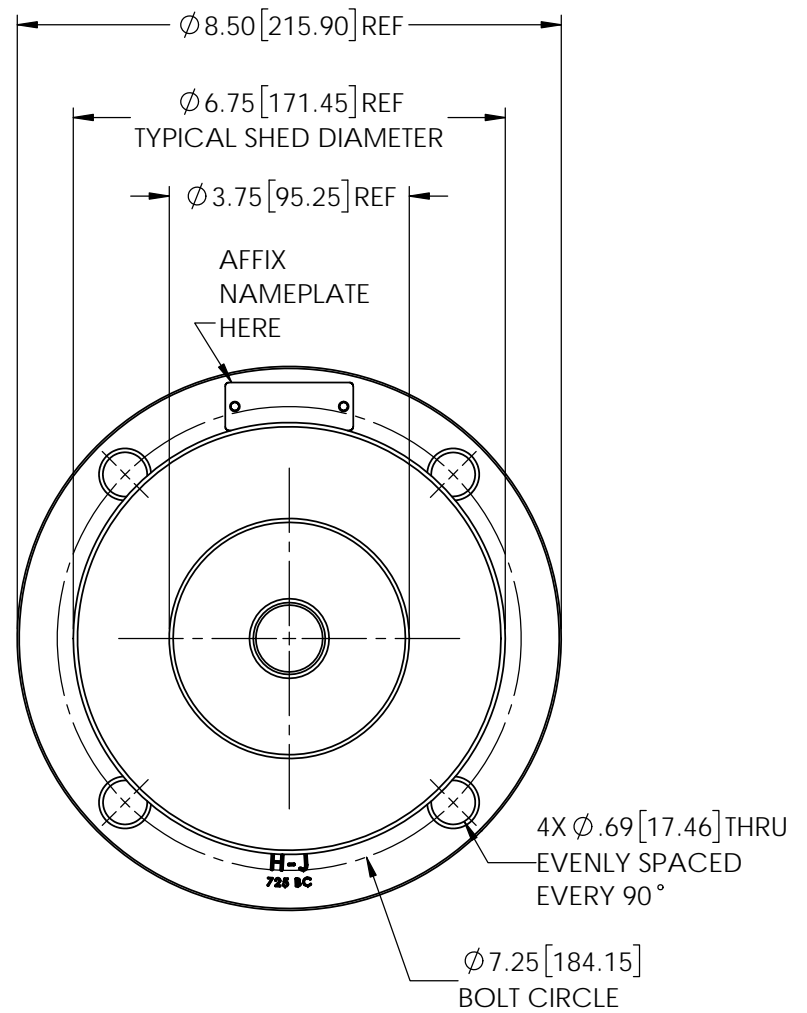


REVISIONS					
REV.	DATE	ECN #	DESCRIPTION	BY	APPROVED



**MATERIAL:**  
 STUD - COPPER C11000 TIN PLATED  
 OIL - TYPE 2 TRANSFORMER OIL

**PORCELAIN NOTES:**  
 1. WET PROCESS ELECTRICAL PORCELAIN.  
 2. GRAY GLAZE MUNSELL 5BG 7.0/0.4  
 3. TOLERANCE ±3% WITH NOTHING LESS THAN ±.03", UNLESS OTHERWISE NOTED ON DRAWING.

**SPECIFICATIONS:**  
 1. RATED VOLTAGE.....8.7kV  
 2. BASIC IMPULSE LEVEL.....95kV  
 3. NOMINAL CURRENT RATING.....1227 AMPS @ 1000A/SQ.-IN.  
 4. STRIKE DISTANCE.....6.13" [155.58mm]  
 5. CREEP DISTANCE(MIN.).....10.50" [266.70mm]  
 6. APPROXIMATE WEIGHT.....28.3 LBS

**PROPRIETARY AND CONFIDENTIAL**  
 THE INFORMATION CONTAINED IN THIS DRAWING IS THE SOLE PROPERTY OF H-J ENTERPRISES, INC. ANY REPRODUCTION IN PART OR AS A WHOLE WITHOUT THE WRITTEN PERMISSION OF H-J ENTERPRISES, INC. IS PROHIBITED.

TOLERANCES (EXCEPT AS NOTED)	
DECIMAL	X" = ±.1" .XX" = ±.06" .XXX" = ±.03"
ANGULAR	+/- 1 Degrees



**H - J ENTERPRISES, INC.**  
 3010 HIGH RIDGE BLVD. HIGH RIDGE, MO. 63049 USA  
 PHONE 1-636-677-3421 FAX 1-636-376-1915

**8.7kV 95kV BIL COVER BUSHING**

MATERIAL (SEE DRAWING)		
CHK'D	APP'D	DRAWING NO.
		AS1440-006
DRAWN BY	DATE	SCALE
MAD	10-12-2020	N.T.S.